

HPWINNER

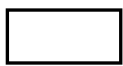
TF9A(BCD) Series LED High Bay Light (Rev2.1)

Applications

- Factory & Storage lighting
- Showroom & Convention center lighting
- Gym & Parking lot lighting



Standard Colors



White



Gray



Black

Features

- Unique patented IP68 (highest protection level) LED light engines;
- Ergonomic and dedicated lighting distributions available for warehouse, workshop, hall lighting, etc;
- Whole structure heating dissipation design with best thermal conduction and radiation;
- Flexible to reach desired power selections by choosing appropriate light engines;
- Unmatched lighting performance, driver stability and desirable lifespan;
- Superior efficiency with an average of 140lm/W;
- Effectively replaces HID products of 70-400W;
- Compact light weight construction for easy installation.



HPWINNER

TF9A(BCD) Series LED High Bay Light (Rev2.1)

Electrical Characteristics

Model	Input Voltage (V) Frequency (Hz)	LED Qty (pcs)	Power (W)	Efficacy (lm/W)	Lumens (lm)	Power Factor	Power Efficiency	LED Brand	CCT (K)	CRI
TF9A	AC200-240 50/60	9 (3P3S)	30	130±8	3900±240	0.95	92%	Lumileds	3000 4000 5000 5700	≥70
		15 (5P3S)	30	145±8	4350±240	0.95	92%			
		12 (4P3S)	40	130±8	5200±320	0.95	92%			
		18 (6P3S)	40	145±8	5800±320	0.95	92%			
		12 (4P3S)	50	125±8	6250±400	0.95	92%			
		15 (5P3S)	60	125±8	7500±480	0.95	92%			
TF9B	AC200~240 50/60	21 (7P3S)	50	140±8	7000±400	0.95	92%			
		27 (9P3S)	60	140±8	8400±480	0.95	92%			
		20 (4P5S)	80	130±8	10400±640	0.95	93%			
		25 (5P5S)	100	130±8	13000±800	0.95	93%			
		28 (7P4S)	120	130±8	15600±960	0.95	93%			
TF9C	AC200~240 50/60	35 (7P5S)	80	145±8	11600±640	0.95	93%			
		45 (9P5S)	100	145±8	14500±800	0.95	93%			
		30 (6P5S)	120	130±8	15600±960	0.95	93%			
		50 (10P5S)	120	145±8	17400±960	0.95	93%			
		36 (6P6S)	150	130±8	19500±1200	0.95	93%			
TF9D	AC200~240 50/60	42 (6P7S)	180	125±8	22500±1440	0.95	93%			
		49 (7P7S)	200	130±8	26000±1600	0.95	93%			

Working environment & Packing

Model	Working Environment	Storage Temperature	IP Rating	Surge Protection	LED Life Span (h)	Housing Material	Product Dimensions (mm)	Carton Size (mm)	N.W (kg)	G.W (kg)
TF9A	-40℃~+50℃, 10%~90%RH.	-40℃~+50℃	IP66	≥6KV	>50,000	Aluminum	Φ210*210	285*285*250	1.6	2.3
TF9B							Φ250*215	320*320*255	2.4	3.2
TF9C							Φ315*235	390*390*285	4.1	5.0
TF9D							Φ315*230	390*390*285	4.3	5.2

Note: Above data are calculated based on customized driver

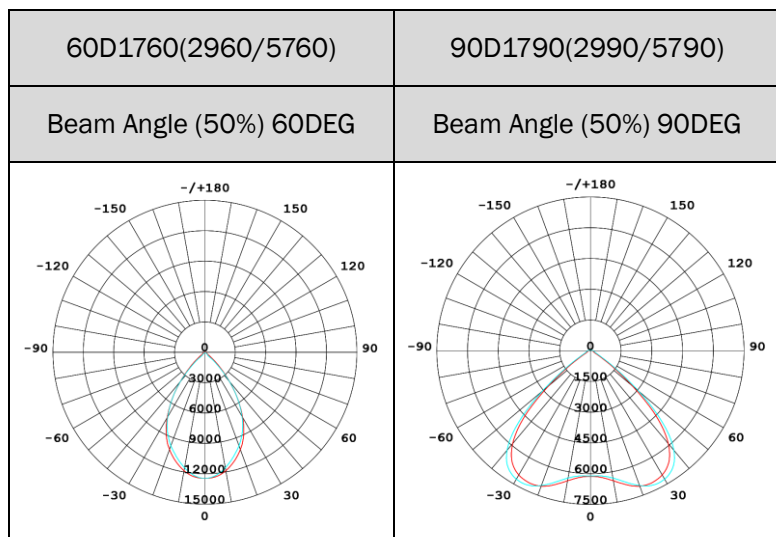
Warranty

5-year limited warranty is standard on luminaire and components.

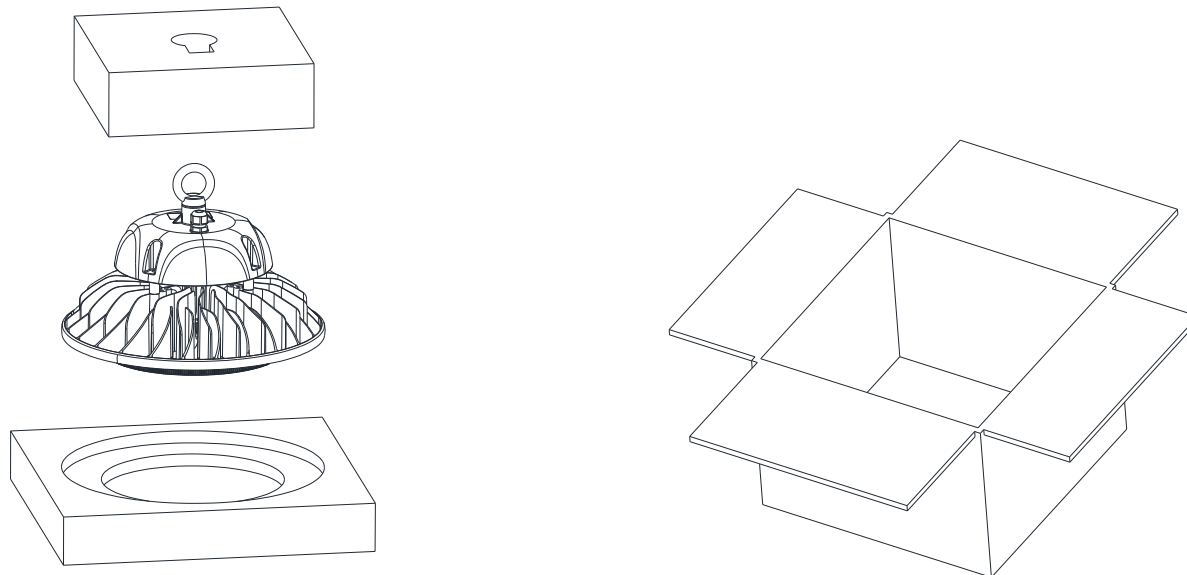
HPWINNER

TF9A(BCD) Series LED High Bay Light (Rev2.1)

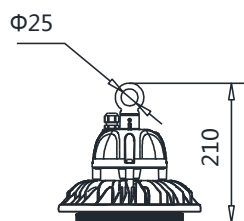
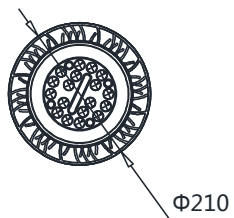
Light Distributions



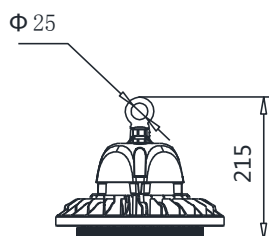
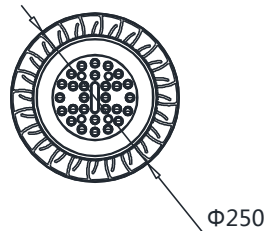
Package Drawing



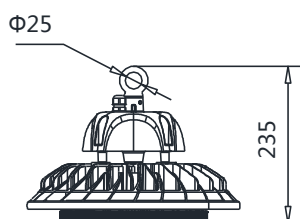
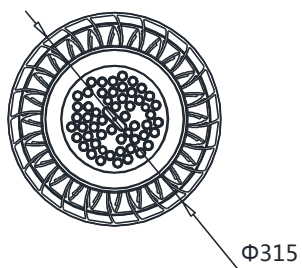
Dimensions



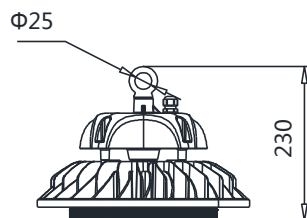
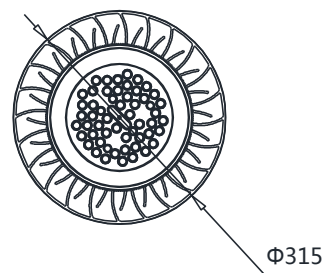
TF9A



TF9B

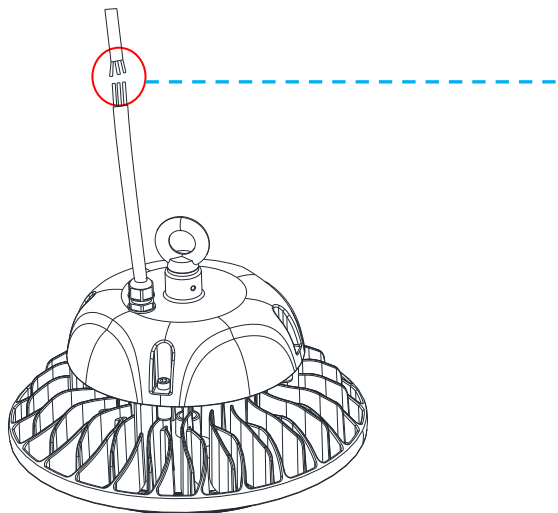


TF9C

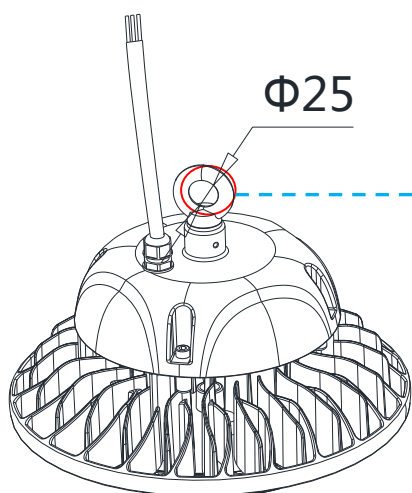


TF9D

Installation



1. Connect the ground wire, neutral wire and live wire to the AC input (make sure it sufficiently grounded)



2. Hang the lamp on the reserved clasp or hook

HPWINNER

TF9A(BCD) Series LED High Bay Light (Rev2.1)

Ordering Information

Sample Number: TF9B-60-27GY-L1760-740-SPA-D

Luminary Type	Luminary Series	System Power	LED Qty (pcs)	Housing Color	LED Brand	Lens Code
TF High Bay light	9A 9A series	30 30W	9 9pcs	WH White	L Lumileds	1760 60 Degree
	9B 9B series	40 40W	12 12pcs	BK Black		1790 90 Degree
	9C 9C series	50 50W	15 15pcs	GY Gray		2960 60 Degree
	9D 9D series	60 60W	18 18pcs			2990 90 Degree
		80 80W	20 20pcs			5760 60 Degree
		100 100W	21 21pcs			5790 90 Degree
		120 120W	25 25pcs			
		150 150W	27 27pcs			
		180 180W	28 28pcs			
	200 200W				

CRI	CCT	Driver Brand	Driver Type	
7 Ra≥70	30 3000K	SPA CUSTOMIZED DRIVER	D Dimming	
	40 4000K	MO MOSO	S Non-dimming	
	50 5000K	MW MEAN WELL		
	57 5700K	PH PHILIPS		
		IN INVENTRONICS		
		AD ADAYO		
	OTH OTHER			

Version History

Change Date	Version	Description of Change		
		Item	From	To
2017/07/17	Rev2.0	Datasheets Release		
2018/04/26	Rev2.1	TF9C Weight	N.W. 2.6KG ; G.W. 3.4KG	N.W. 4.1KG ; G.W. 5.0KG